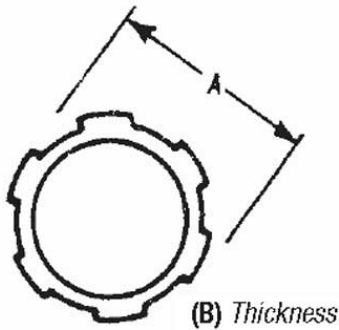


## T&B® Fittings



**T&B Catalog Number:** 142-TB  
**UPC Number:** 78621000142  
**Description:** 3/4" Locknut, Hardened Steel. For use with Rigid/IMC Conduit.

**Status:** Active



### Application

To connect externally threaded conduit or connector to a threadless opening in a box or enclosure. To effectively bond conduit or connector to box or enclosure.

### General

Trade Size (inches)	3/4
Material	Steel

### Dimension Information

Dimension A (inches)	1 3/8
Dimension B (inches)	3/16

### Packaging

T&B Order Multiple	100
T&B Inner Pack	100
Package in Units	1000
T&B Sold in UOM	Each
T&B Weight Per UOM	2.2 lbs. per 100

### Application Support

Rigid/IMC Conduit Fittings Overview & Specification	Available on Website
---	----------------------

### Notes

*Note	Available with DURA-PLATE&#174; Finish
**Note	Case hardened locknuts.

### Certifications

RoHS Compliance	Yes
-----------------	-----

### Certifications



File Nbr:  
E 23018

For further technical assistance, please contact us...

Thomas & Betts - USA  
 8155 T&B Blvd.  
 Memphis, TN 38125  
 www.tnb.com

T&B Technical Support  
 MS 3B-50  
 8155 T&B Blvd.  
 Memphis, TN 38125

Hours: 7AM - 6PM CDT  
 Monday-Friday  
 Phone: (888) 862-3289  
 Fax: (901) 252-1321  
 Email: techsupport@tnb.com